



# Leica DISTO™

One of the industry's toughest and most precise laser distance meters for 2D and 3D measuring and layout tasks.



HEXAGON



# Leica DISTO series



## 3D Disto

The perfect tool for 3D measuring, scanning and layout with 1mm accuracy.



## S910

LDM with 3D measuring technology, wifi and AutoCAD plug-in.



## D810 Touch

Outdoor LDM with pointfinder, Bluetooth and touchscreen.



## E7500i

Outdoor LDM with 200m ranger, digital pointfinder and BT 4.0



## X4

Water, dust, drop resistant laser measurer with Pointfinder



## X3

Waterproof & dust tight (IP65) and drop-tested up to 2 m.



## D2

Pocket-size LDM with 100 m range and Bluetooth® 4.0



## E7100i

World's smallest laser distance meter with Bluetooth® 4.0

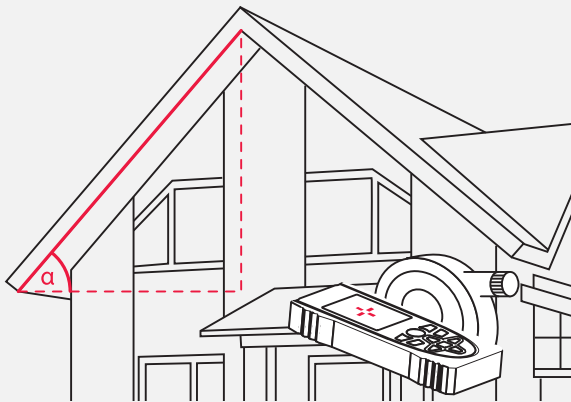


## D1

Easy-to-use and accurate laser range finder.

# Our unique technologies

Continuous further development and new technologies mean that Leica DISTO™ devices provide comprehensive functionality. Equipped with a multitude of innovations, they are flexible and versatile across a wide range of applications. When in use, Leica DISTO™ excels through the highest accuracy and reliability.

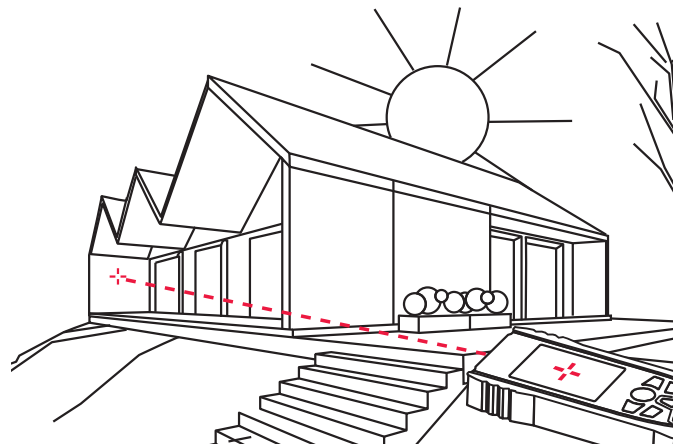


## Point to Point Technology (P2P)

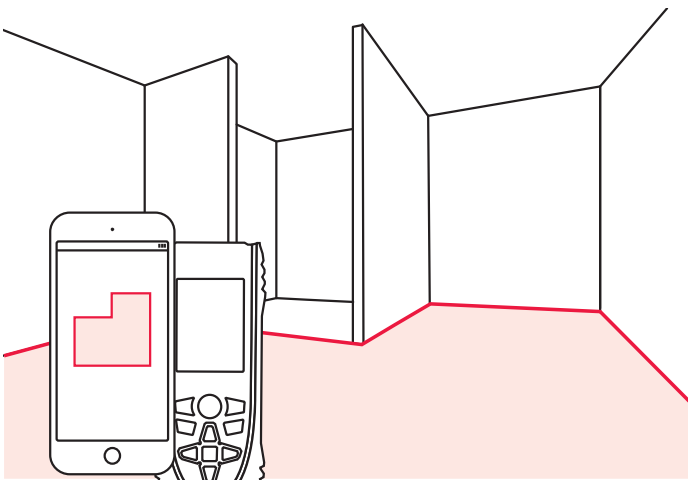
Using this innovative technology allows you to measure the distance between any two points from one position quickly and easily. New sensor types used by the Leica DST 360 and the Smart Base of the Leica DISTO™ S910, use angle information to make this possible.

## Pointfinder

The digital Pointfinder, with its 4× zoom and large color display, makes targeting easier over long distances. The high-resolution screen ensures a crystal-clear image, allowing you to measure perfectly, even in bright sunlight.





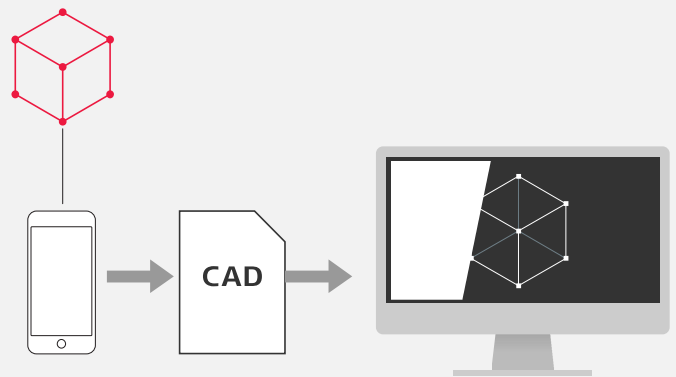


## Smart Room

The Leica DISTO™ X3 and X4 in combination with the DISTO™ Plan app increase efficiency. New technologies allow the devices to keep a record of distance measurements and the angle between any two of those measurements at the same time. The app then transforms that information into accurate floor plans on your tablet or smartphone.

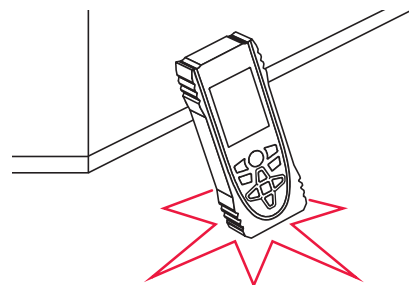
## Leica DISTO™ compatible apps

Many other apps, like the AutoCAD® Mobile app, are available to make full use of your Leica DISTO™. This allows you to draw site plans in real time and share the data as dxf files with others.



## ISO: Certified Quality - Assured reliability

The range and accuracy of all Leica DISTO™ devices are checked in accordance with ISO 16331-1. As a result, you can be sure that the performance of the instrument is maintained not only in the test laboratory but even more importantly on everyday site tasks.



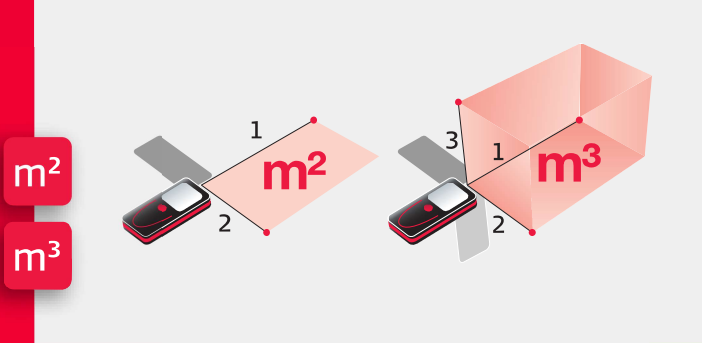
## Site proof

All devices are protected against dust and splash water to a minimum of IP 54 making them well equipped for everyday site tasks. The Leica DISTO™ X3, X4 and D510 achieve IP 65 for ratings making them perfect for rugged job site conditions.

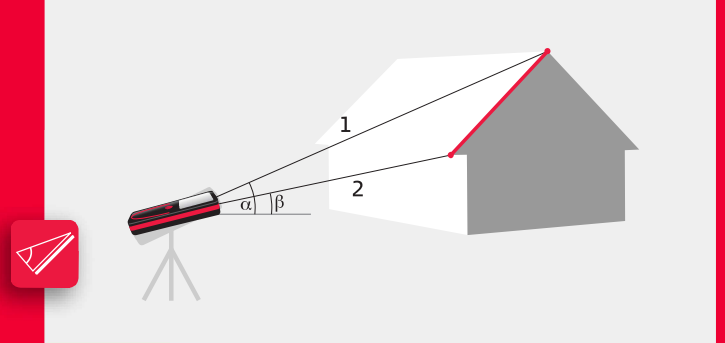


# Any measurements are possible

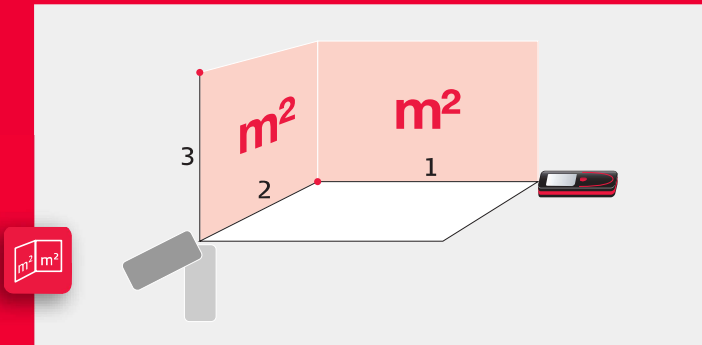
## ■ Area and volume measurements



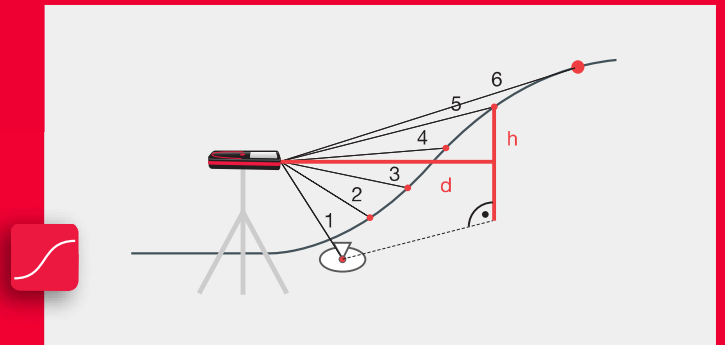
## ■ Sloped object measurement



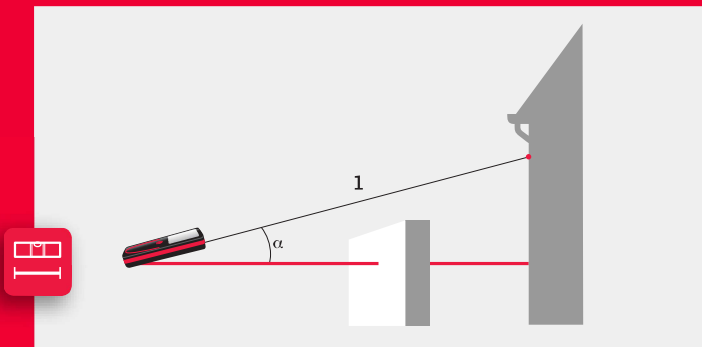
## ■ Painter function



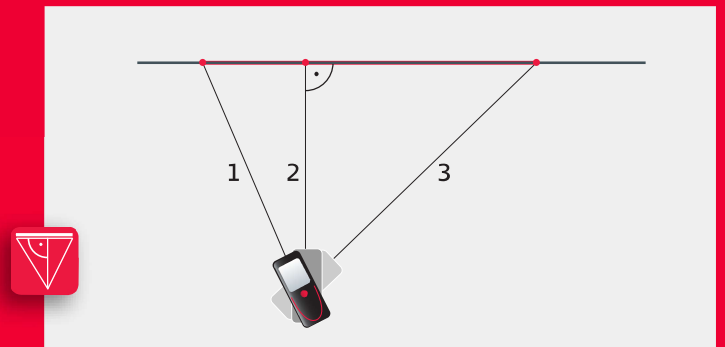
## ■ Height profile measurements



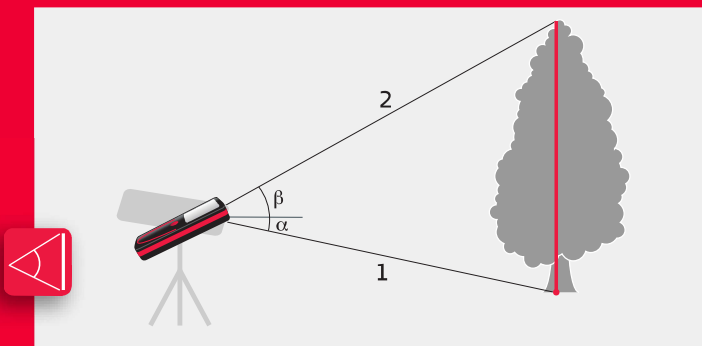
## ■ Smart Horizontal Mode



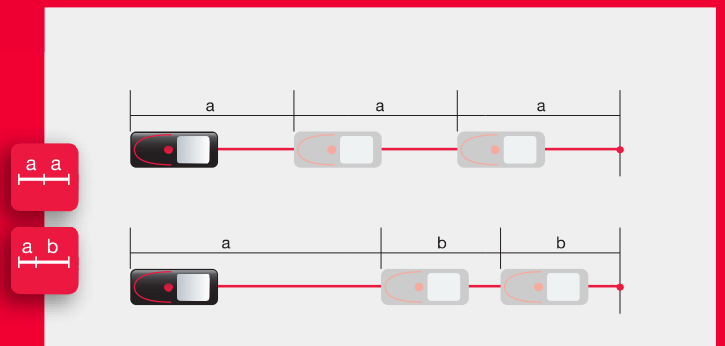
## ■ Pythagoras functions



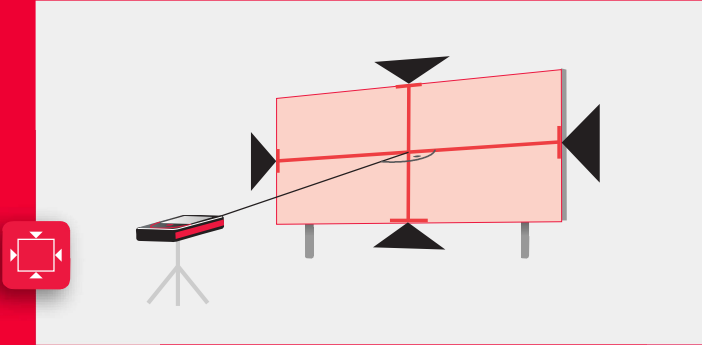
## ■ Height tracking



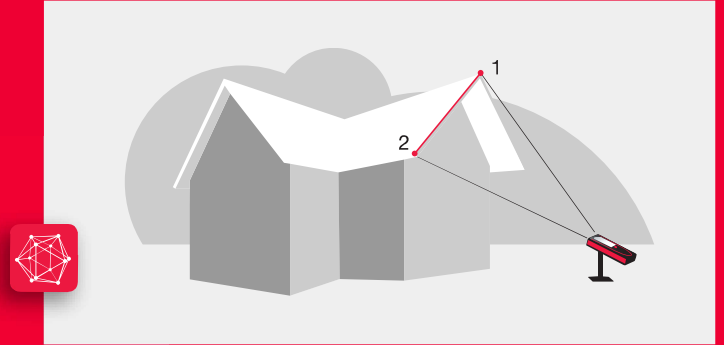
## ■ Stake-out function



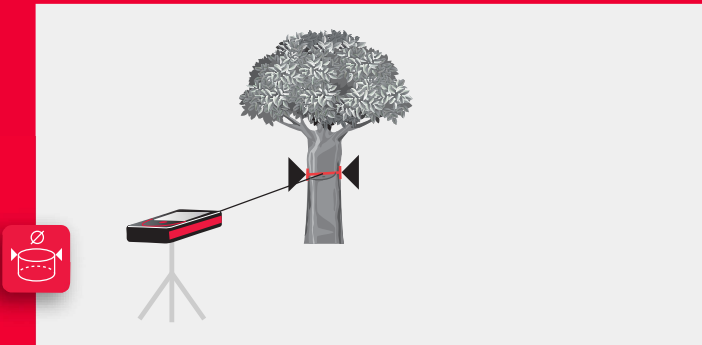
■ Measuring widths, heights and areas



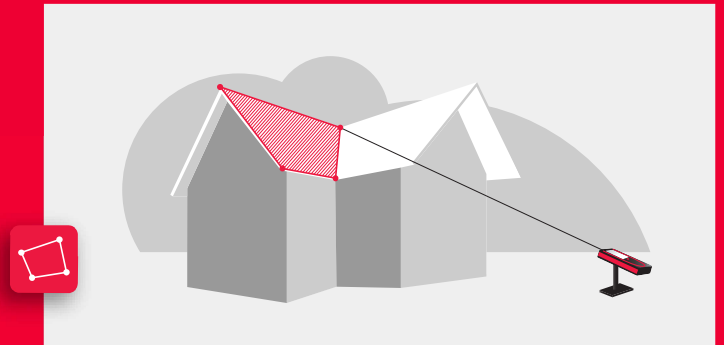
■ Point to Point Measurement



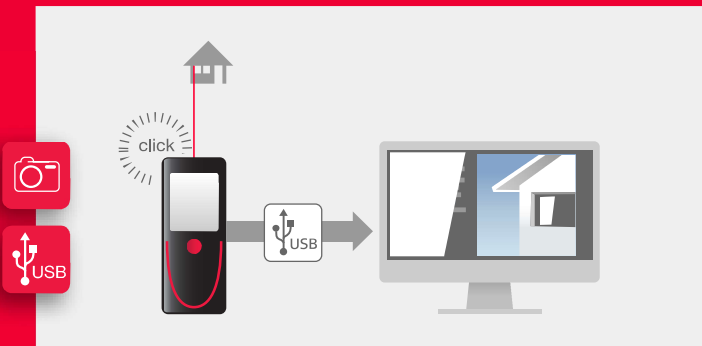
■ Diameter measurement



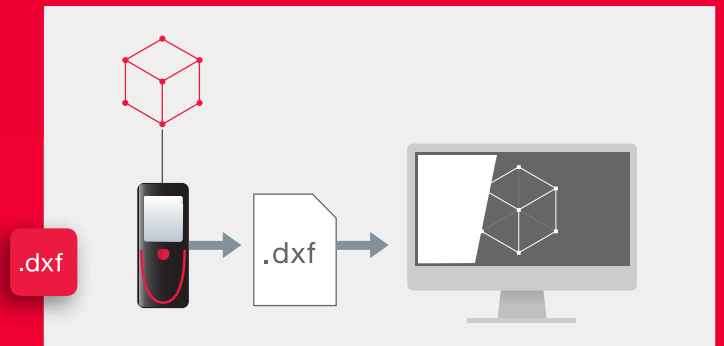
■ Smart Area Measurement



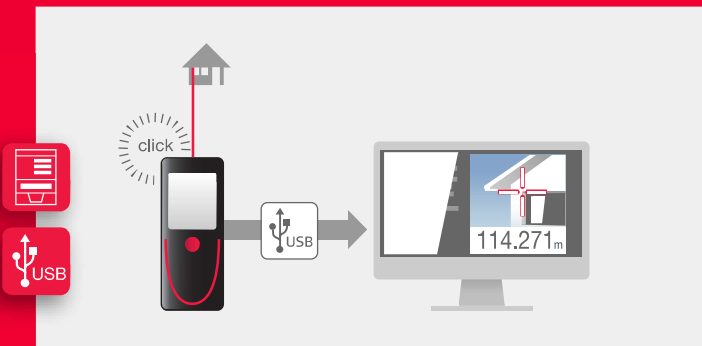
■ Take pictures with the overview camera



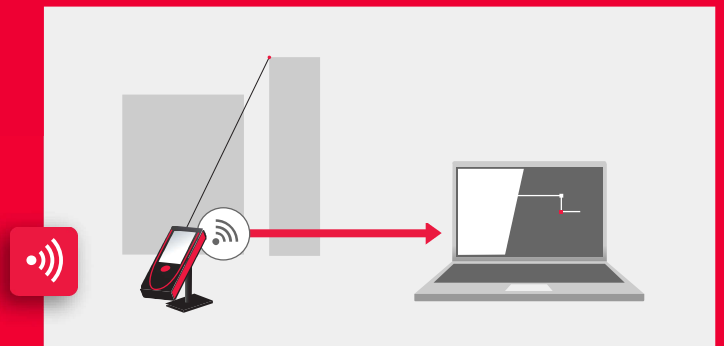
■ Data capture in dxf files



■ Screen shots



■ Point data transfer



# 3D Disto

Measure Once, Cut Once



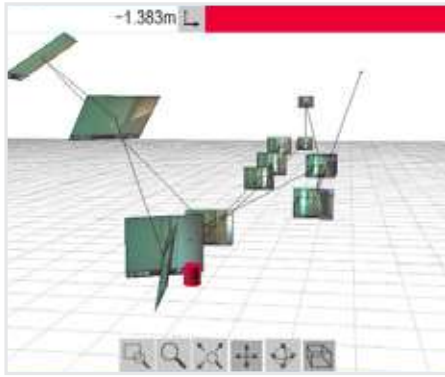
[Explore >](#)

3D measuring just became easy with the automated and motorized 3D Disto. The integrated camera relays images of the points being measured to the wireless touchscreen tablet and the laser captures the distance remotely. From one stationary point, you can measure everything, including complete rooms, walls, staircases, windows and structural elements at +/- 1/16" accuracy at 33 feet. Data is captured and displayed on your tablet screen and can be exported into packages such as CAD for further processing. Applications include

- Creating CAD templates
- 3D visualizations
- Capturing As-Built measurements
- Building Information Modeling (BIM)
- Highly accurate measurements for custom fabrications

[LEARN MORE >](#)





## Measure

Easy to setup: self-leveling, quick to plumb, sharp, bright, visible lines. Easy to use: Call out photos can be added to clarify measurement points

[View Video Here >](#)



## Document

The remote control's 98' wireless range and 164' wifi range provides for fewer moves and less trips up the steps, ladder or scaffolding

[View Video Here >](#)



## Communicate

Prepares 2D and 3D DXF and DWG so design work can be started immediately in precise digital as-built model

[View Video Here >](#)

## Features

- Digital measurements with immediate results
- Digital Pointfinder
- Camera provides photo backup for position changes
- 2D & 3D graphic display
- Cable free operation
- 3D visualizations, navigation – wire frame modeling
- Captures as-built measurements in 3D or 2D
- Creates CAD templates for fabrication & shop drawings

[See Full Specs >](#)

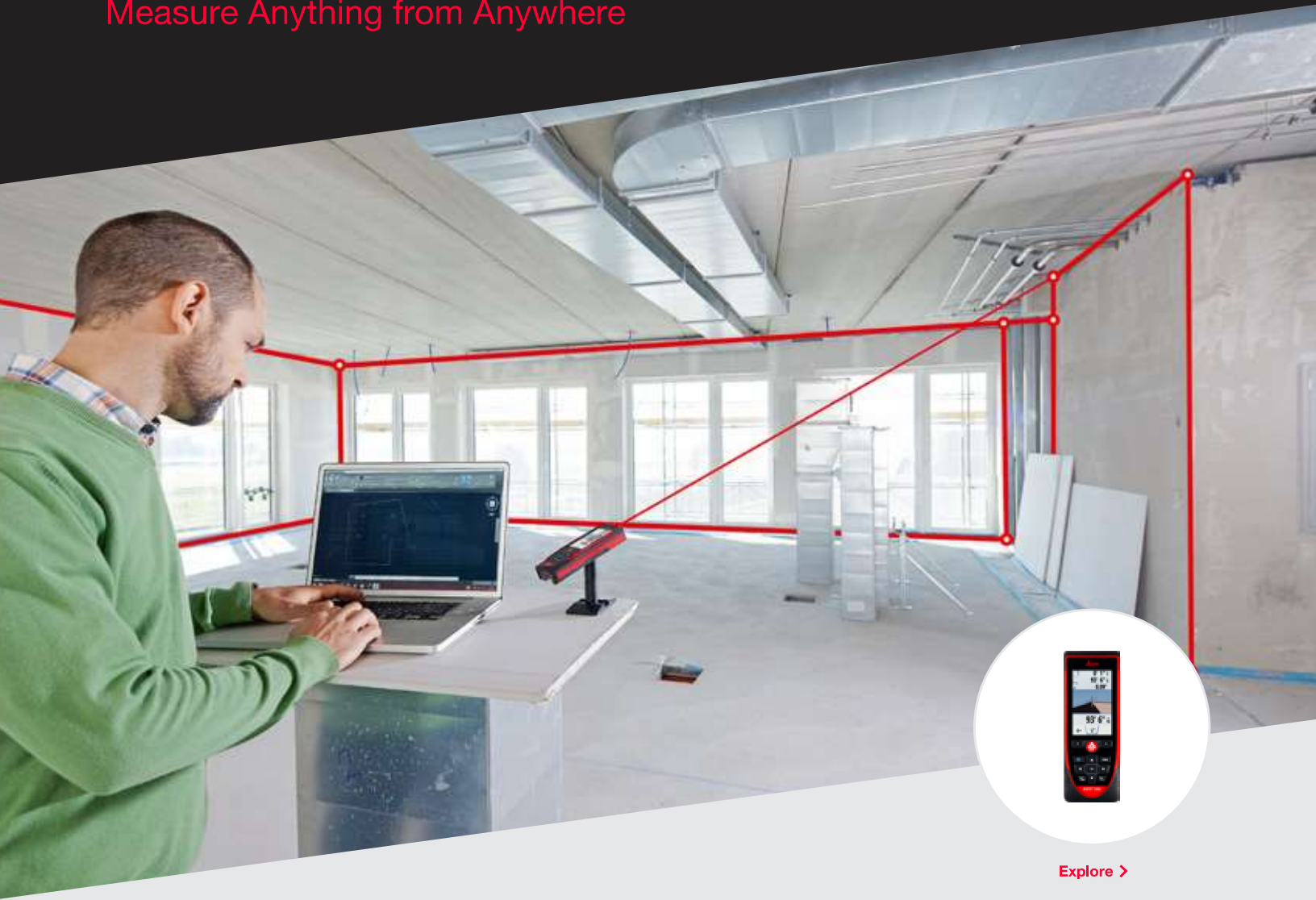
## Advanced Functions

No matter what you are doing with a 3D Disto, accuracy is paramount. Since form follows function, the 3D Disto a cross between a surveyor's robotic total station and a hand-held Disto

- Measure to +/-1/16" accuracy at 33'
- Produce precise measurements indoors or outdoors
- Intuitive and easy to learn
- Small size
- Universally compatible file format that works with any CAD program
- The 3D Disto measures horizontal angle, vertical angle and slope distance with angle sensors borrowed from our total stations
- New 20 layer functionality view video here link

# DISTO S910

Measure Anything from Anywhere



[Explore >](#)

Boosts productivity at the construction site and in the office. With it's 984' range, P2P technology, DXF data capture and real-time data transfer the job-site and office are finally in sync with BIM and your client

- WiFi + USB + Bluetooth® Smart allows easy communication without data loss
- 3.2" color touch screen & digital pointfinder insure reliable target acquisition
- Point-to-Point (P2P) captures 3D measurements between 2 or more points from a safe position on the ground

[LEARN MORE >](#)



## Measure

Measure distances in seconds, without help from another person

[View Video Here >](#)



## Document

Precise laser technology always produces reliable measurements in the format you want

[View Video Here >](#)



## Communicate

USB & Bluetooth® Smart readily connects to DISTO Plan and you to the rest of the world

[View Video Here >](#)

## Features

- P2P measurements
- DXF data capture
- Pointfinder camera measuring
- Measure in picture
- Photo gallery documentation
- Indirect smart horizontal distance
- Height tracking
- Long range mode
- Distance (key or touch)
- Min/Max Tracking
- Calculator
- Volume
- Area
- Bluetooth® Smart
- Free DISTO Plan app

[See Full Specs >](#)

## Advanced Functions (\* requires FTA 360-S Adapter)

- Point-to-Point (P2P) measuring: The S910 is a standalone P2P device. Its Laser Distance Meter (LDM) is integrated with a Smartpivot that folds into the chassis of the S910 and provides rotation and angle data. For long range P2P measurements where the Pointfinder is used or when taking multiple shots to measure the area of a complex plane or when working hands-free is desirable, an FTA 360-S tripod adapter unlocks the full potential of the S910. Using the 4x digital zoom and an FTA 360-S, the S910 can take P2P measurements up to 984 away\* [View Video Here >](#)
- Data Capture in CAD: Capturing point measurement information in a DXF format allows for as-built object dimensions to be further processed in CAD solutions.



# DISTO D810

Precise Outdoor Measurements with 4x  
Zoom Pointfinder and Camera



[Explore >](#)

Simply navigate through the familiar 3.2" touch screen zoom features to determine, width, height, surface area or diameter. Then document the measurements using photos from the built-in camera. Indirect measuring is incredibly precise with built-in tilt sensors with additional accuracy provided by the FTA 360 tripod adapter

- Digital Pointfinder with 4X zoom identifies long distance targets in bright sunlight
- Easy JPEG data transfer to your PC with Bluetooth® and USB
- Indirect height/width measurements of inaccessible targets
- Range: 2" - 820'

[LEARN MORE >](#)



## Measure

Long distances in seconds, without help from another person

[View Video Here >](#)



## Document

Precise laser technology always produces reliable measurements in the format you want

[View Video Here >](#)



## Communicate

USB & Bluetooth® Smart readily connects to DISTO Plan and you to the rest of the world

[View Video Here >](#)

## Features

- Pointfinder camera measuring
- Measure in picture
- Photo gallery documentation
- Indirect smart horizontal distance
- Height tracking
- Long range mode
- 3.2" color touch screen
- Min / max tracking
- Rechargeable Li-Ion Batteries
- Surface area
- Room volume
- Auto end-piece
- Bluetooth® Smart
- Free DISTO Plan app

[See Full Specs >](#)

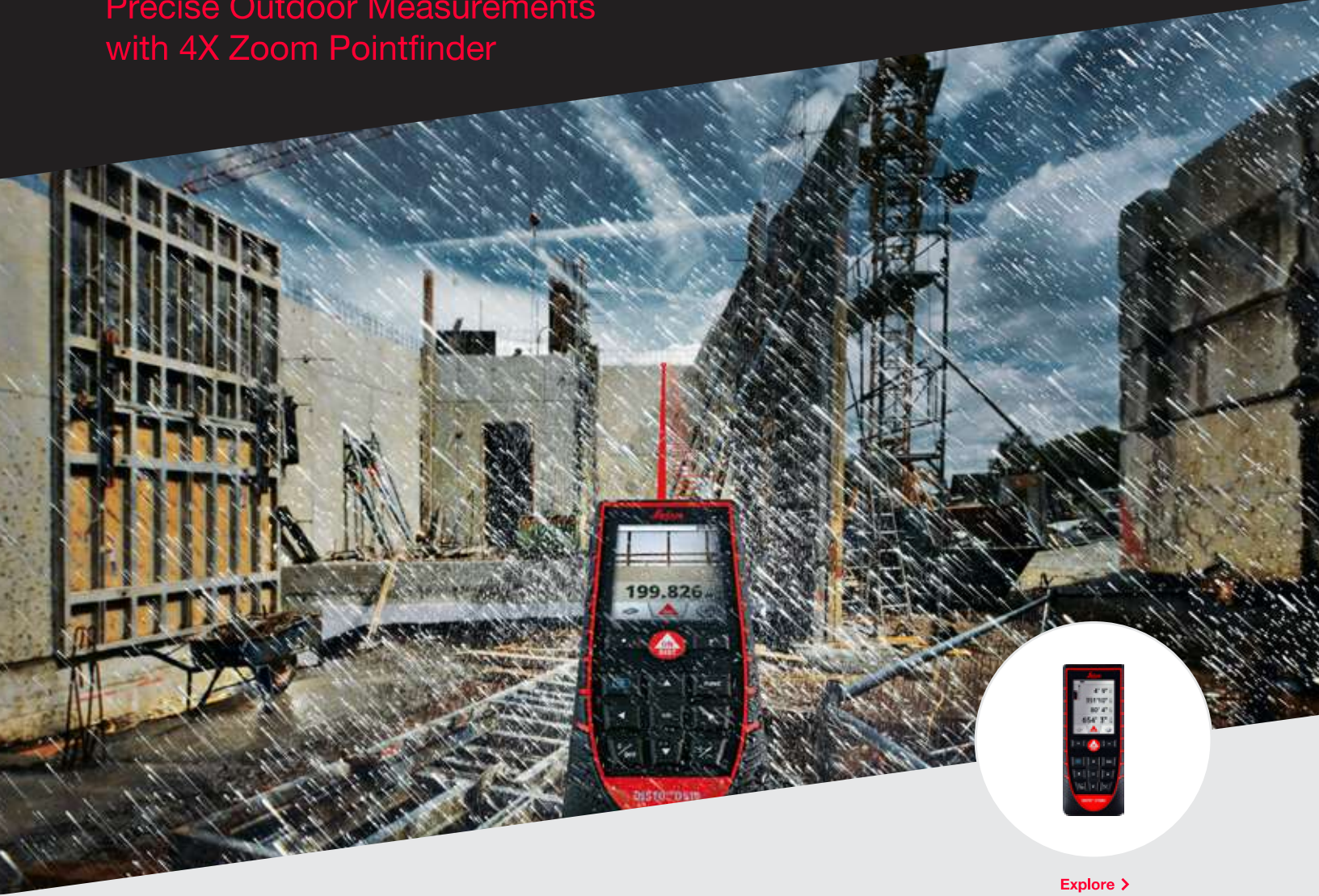
## Advanced Functions (\* Requires FTA 360 Tripod adapter)

- Measure with a picture: Only one measurement at the correct angle is needed. Once taken, simply align the 2 arrows on your screen to the required points in your measurement picture and the results will show- distance, width, area, diameter\*
- Document using pictures: The onboard camera provides color photos that can be downloaded with the USB interface to your computer – no details about the measured target need to be lost [View Video Here >](#)
- Indirect measuring function: The pointfinder, tilt sensor and laser generate precise dimensions and when combined with the FTA 360 tripod adapter exact targeting can be achieved



# DISTO E7500i

Precise Outdoor Measurements  
with 4X Zoom Pointfinder



[Explore >](#)

The DISTO E7500i provides a unique combination of a digital color Pointfinder with a premium 2.4" screen, contrast control for maximum readability and a 360 degree tilt sensor which develops measurements not possible with conventional distance meters

- Measurements of inaccessible targets - indirect height & width
- Bluetooth® Smart for data transfer to smart phones or tablets
- Range: 2" - 656'

[LEARN MORE >](#)





## Measure

Long distances in seconds, from a safe position and without help from another person

[View Video Here >](#)



## Document

Precise laser technology always produces reliable measurements in the format you want

[View Video Here >](#)



## Communicate

Bluetooth® Smart readily connects you to DISTO Plan and to the rest of the world

[View Video Here >](#)

## Features

- Measure distance, area, volume, tilt & incline
- Color digital Pointfinder with 4x zoom
- Tilt sensor 360 degree
- Smart measuring, Smart horizontal distance, Min/Max & height tracking, Pythagoras 2 & 3-point calculations
- Stake out for intervals
- Memory - last 30 results
- Free DISTO Plan App

[See Full Specs >](#)

## Advanced Functions (\* requires FTA360 adapter)

- Pointfinder: Outdoor lighting conditions and long distances can limit laser visibility. The digital Pointfinder overcomes this issue and makes tricky outdoor measurements an easy task
- Tilt Sensor 360: When combined with Pointfinder, takes indirect measurements from objects that do not have suitable reflective target points, like a reflective glass facade, or targets which are obstructed
- Height Profile Tracking: makes determining height differences easy – just take one reference measurement and relate all subsequent measurements to it – no additional tools needed

# DISTO X4

Precise Outdoor Measurements with Added Point-to-Point Measuring



[Explore >](#)

The DISTO X4 is a rugged, outdoor rated laser measuring tool with Pointfinder optics, allowing you to easily identify distant targets in bright sunlight. Even if the laser dot cannot be seen, the target appears clearly on the color display. The high-resolution screen ensures a crystal clear image. Distance measurements are absolutely precise up to 492'

- Smart Room function in DISTO Plan automatically creates scaled floor plans by measuring single distances around room or area perimeter
- Point-to-Point (P2P) captures 3D measurements between 2 or more points from a safe position on the ground. Measure irregular shapes and hard to reach points

[LEARN MORE >](#)



## Measure

Exterior points from a safe position in field conditions with bright lighting to determine: distance, area, volume, incline and tilt

[View Video Here >](#)



## Document

Combine the measurements into 2D or 3D drawing, sketches or photographic notes

[View Video Here >](#)



## Communicate

Instantly to your smart phone, laptop, office or client in the format they need

[View Video Here >](#)

## Features

- Rugged: 6' Drop/Water/Dust Tested - best in class
- 2" rotating display
- 4x Pointfinder zoom
- Bluetooth® Smart
- Tracking: measure height with no reflective point (trees)
- Pythagoras : remote, unsafe measurements (chimneys)
- DISTO Plan

[See Full Specs >](#)

## Advanced Functions (\* requires DST 360 adapter)

- Point-to-Point (P2P) - indirect measurements of 2 points from 1 location - Measure hard to reach points such as roof points from the ground \*
- Smart Room - Create easy floor plans from complex rooms by measuring points around the room or area perimeter, then export from the DISTO Plan App in PDF or CAD format  
[View Video Here >](#)
- Smart Horizontal Distance - Measure the horizontal distance to a target even if something is blocking the sight line distance to the target
- Measure Plan - Measure detailed floor plans, elevations, irregular shapes and hard to reach points with P2P technology \*



# DISTO X3

Precise Interior Measurements with Added Point-to-Point Measuring



[Explore >](#)

The smart partner for indoor applications - compact & long range, quick and easy, clear 3 line display, recalls last 10 measurements, internal timer eliminates shaking error. All in a robust, IP65, solid housing

- Point-to-Point (P2P) captures 3D measurements between 2 or more points from a safe position on the floor. Measures irregular shapes and hard to reach points
- Smart Room function and DISTO Plan automatically creates scaled floor plans from a single position while measuring points around the perimeter

[LEARN MORE >](#)





## Measure

Measure points from a safe, comfortable, convenient location to determine: distance, area, volume, tilt and incline

[View Video Here >](#)



## Document

Combine measurements into 2D or 3D drawings, sketches or photographic notes

[View Video Here >](#)



## Communicate

Instantly to your smart phone, laptop, office or client in the format they need

[View Video Here >](#)

## Features

- Rugged: 6' Drop/Water/Dust Tested - best in class
- 2" rotating display
- Measures distance, area, volume, tilt, incline, level
- Min / Max Tracking
- Pythagoras: remote, unsafe measurements (chimneys)
- Bluetooth® Smart
- DISTO Plan

[See Full Specs >](#)

## Advanced Functions (\* requires DST 360 adapter)

- Point to Point (P2P) - indirect measurements of 2 points from 1 location - Measure hard to reach points such as roof points from the ground \*
- Smart Room - Create easy floor plans from complex rooms by measuring points around the room or area perimeter, then export from the DISTO Plan App in PDF or CAD format
- Smart Horizontal Distance - Measure the horizontal distance to a target even if something is blocking the sight line distance to the target
- Measure Plan - Measure detailed floor plans, elevations, irregular shapes and hard to reach points with P2P technology \*

[View Video Here >](#)

# DISTO D2

Long Range Indoor Laser Measuring Tool



[Explore >](#)

The D2's intelligent end-piece accurately measures from and outside or inside corner, including diagonal measurements, making it perfect for installers of rough openings such as doors, windows and appliances. Area measurements are perfect for painters, and floor installers, while volume measurements are highly accurate for HVAC installations. The back-lit LCD screen makes it easy to read while you're on the job

- Measurements of inaccessible targets - indirect height and width
- Bluetooth® Smart for data transfer to smart phones or tablets
- Range: 2" - 328'

[LEARN MORE >](#)



## Measure

Measure distances in seconds, without help from another person

[View Video Here >](#)



## Document

Precise laser technology always produces reliable measurements



## Communication

Bluetooth Smart readily connects you to DISTO Plan on your device and to the rest of the world

[View Video Here >](#)

## Features

- Distance
- Min/Max
- Permanent
- Stake-out
- Add/Subtract
- Area
- Volume
- Painter
- Pythagoras
- Intelligent end-piece
- Memory - last 10 measurements
- Bluetooth® Smart
- Back-lit LCD Screen

[See Full Specs >](#)

## Advanced Functions

- Sketch on Photo: Document a job site condition with your cell phone in the DISTO Plan App, add the existing dimensions from your D2 along with a sketch and message and email immediately to your client or office [View Video Here >](#)
- Sketch Plan: Create a sketch on a smart phone or tablet and assign distance measurements taken with a DISTO to each line. The app's 'auto-scale' function adjusts the lines' length and the result is a scaled, CAD ready plan [View Video Here >](#)
- Useful Measuring Functions: Addition and subtraction, area and volume calculations make every measurement task child's play. The instrument stores the last 10 measurement results

# DISTO E7100i

Professional Indoor Laser Measuring Tool



[Explore >](#)

Great for measuring walls, ceilings and floors! Instantly measures distances and areas, all without assistance, ladders or tapes. Quickly and easily connect your Bluetooth® enabled DISTO to your smart phone or tablet using the DISTO Plan App. Increase productivity by transferring your measurements to a job file, office or client in a dimensioned plan format

- With DISTO Plan, create sketches, floor plans and document with measurements on photos
- Bluetooth® Smart for data transfer to smart phones or tablets
- Range: 200'

[LEARN MORE >](#)





## Measure

Measure distances in seconds, without help from another person

[View Video Here >](#)



## Document

Precise laser technology always produces reliable measurements

[View Video Here >](#)



## Communication

Bluetooth® Smart readily connects DISTO Plan and you to the rest of the world

[View Video Here >](#)

## Features

- Convenient shape and unmatched ease of use
- Smallest DISTO in portfolio
- Clear, 2 line display
- Removable pocket clip for easy carrying
- Extended functionality with built-in Bluetooth® Smart and DISTO Plan Measures Distance
- Accuracy +/- 0.06"
- Permanent Measuring
- Area measurements
- IP54 dust and splash water protected - essential on the jobsite

[See Full Specs >](#)

## Advanced Functions

- Sketch on Photo: Document a job site condition with your cell phone in the DISTO Plan App, add the existing dimensions from your E7100i along with a sketch and message - send immediately via email
- Sketch Plan: Create a sketch on a smart phone or tablet and assign distance measurements taken with a DISTO to each line. The app's 'auto-scale' function adjusts the lines' length and the result is a scaled, CAD ready plan
- Three measurements - one LDM: E7100i is a versatile laser distance meter with three measuring modes: single measurement, permanent measurement and area. With 200' range and 1/16th" accuracy, the E7100i can measure structures and spaces with speed and certified accuracy

# DISTO D1

Professional Laser Measuring Tool



[Explore >](#)

Press a button and instantly measure heights and distances, all without assistance, ladders or tapes. Quickly and easily connects with the DISTO Plan App via a smart phone or tablet, transferring your measurements to a job file, office or client in a dimensioned plan format

- Bluetooth® Smart for data transfer to smart phones or tablets
- Simple one button control
- Range: 130'

[LEARN MORE >](#)



## Measure

Measure distances in seconds, without help from another person

[View Video Here >](#)



## Document

Precise laser technology always produces reliable measurements



## Communication

Bluetooth Smart readily connects to DISTO Plan and you to the rest of the world

[View Video Here >](#)

## Features

- Bluetooth® Smart for data transfer to smart phone and tablets
- Free DISTO Plan App for iOS and Android
- 130' Range
- X- Range Power Technology
- Clear, illuminated 3 line display
- IP54 dust and splash water protected

The best entry level laser distance meter with advanced DISTO Plan capabilities

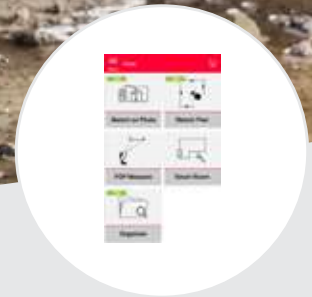
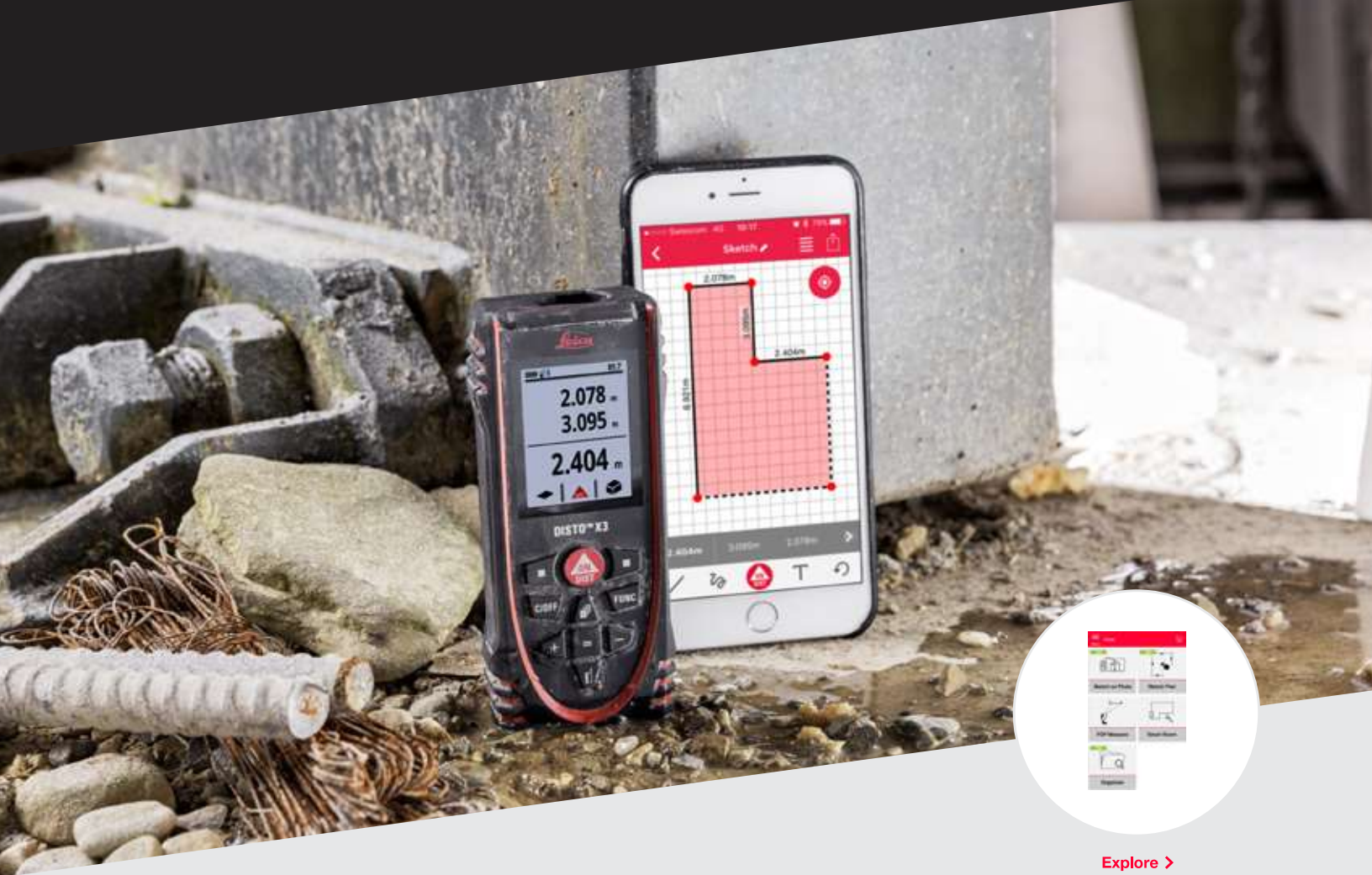
[See Full Specs >](#)

## Advanced Functions

- Sketch on Photo: Document a job site condition with your cell phone in the DISTO Plan App, add the existing dimensions from your D1 along with a sketch and message and send immediately to the person that needs the information [View Video Here >](#)
- Sketch Plan: Create a sketch on a smart phone or tablet and assign distance measurements taken with a DISTO to each line. The app's 'auto-scale' function adjusts the lines' length and the result is a scaled, CAD ready plan
- The DISTO D1: Is our most basic, easy-to-use laser distance meter for quick and accurate interior measurements. Turn the D1 on, press the ON/DIST button, and you have an accurate measurement. With a range of 130 feet and accuracy to 1/16th of an inch, compact and lightweight, the D1 is perfect for measuring at awkward angles or while handling other tools

# DISTO Plan

Visualize - Document - Communicate



[Explore >](#)

The DISTO Plan App is an ideal interface between the Bluetooth® enabled DISTO and your tablet or smart phone. Dramatically improve productivity by automatically transferring measurements to accurate sketches and plans. Visualize, measure, communicate and document your project both easily and quickly

- Share Data - .dxf files can be exported directly into your CAD program
- Sketch Plan - create a scaled floor plan
- Sketch on Photo - dimension objects in pictures
- Smart Room - plan while you are measuring
- Measure Plan - auto draft a plan while measuring

[LEARN MORE >](#)





## Measure

Sketch a rough floor plan, add DISTO measurements, doors, windows and perspective



## Document

Take a photo, add dimensions, notes, dates and forward to the office, your job file or the client



## Communicate

Difficult and time consuming problems become simple, professional, reliable opportunities

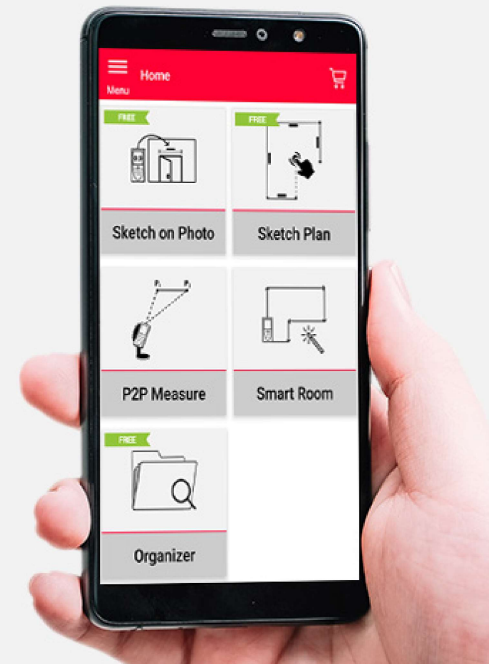
## Features

- App to support DISTO devices with Bluetooth® Smart plus the S910 with WiFi
- Export in jpg, pdf, and CAD formats
- Compatible with Android & iOS devices
- The following links provide a detailed explanation of each function in pdf format
  - Sketch on Photo
  - Sketch Plan
  - P2P Measure
    - Measure Plan
    - Measure Facade
    - Earthworks
  - Smart Room
  - Organizer and Export

[See Full Specs >](#)

## Video Library

- Sketch on Photo >
- Sketch Plan >
- Measure Plan >
- Measure Facade >
- Earthworks >
- Smart Room >
- Organizer >





# BUILT TO WITHSTAND THE TOUGHEST ENVIRONMENTS



Extend the warranty of your product

The Leica Geosystems products and Li-Ion batteries meet the highest quality demands. Register your product within 8 weeks of purchase at [www.disto.com](http://www.disto.com) and benefit from our 3-year warranty, respectively 2-year warranty on Li-Ion batteries.